

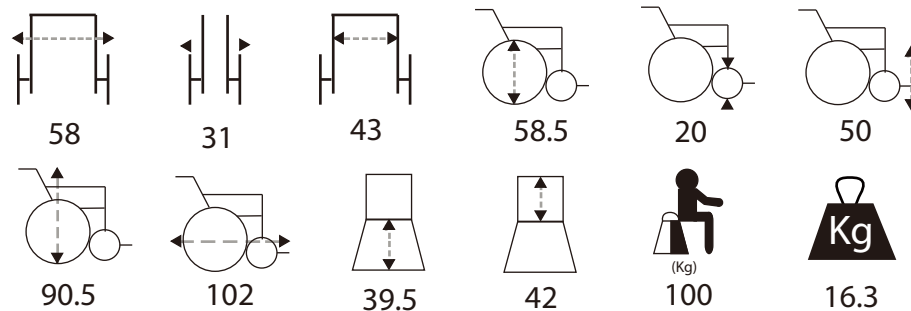
WC-605B (長手枕) WHEELCHAIR

Flip up armrest and footrest.
Footrest, Chrome-covered frame, PVC cushion.
8" front wheel and 24" rear wheel, With IV pole.

Product Description (產品示意圖)



CDA Schematic (CAD示意圖) (cm)



浸信會愛羣社會服務處
BAPTIST OI KWAN SOCIAL SERVICE



香港浸信會醫院
Hong Kong Baptist Hospital