

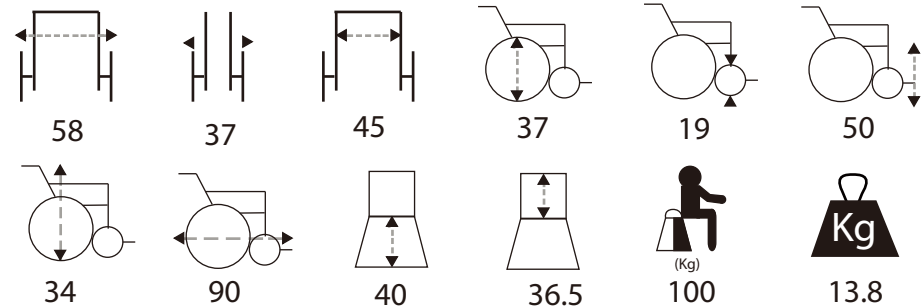
# WC-806 WHEELCHAIR

Fixed armrest and footrest.  
 With double brakes Painted frame. Nylon cushion.  
 8" front wheel and 16" rear wheel with PU tire.

Product Description (產品示意圖)



CDA Schematic (CAD示意圖) (cm)



浸信會愛羣社會服務處  
 BAPTIST OI KWAN SOCIAL SERVICE



香港浸信會醫院  
 Hong Kong Baptist Hospital