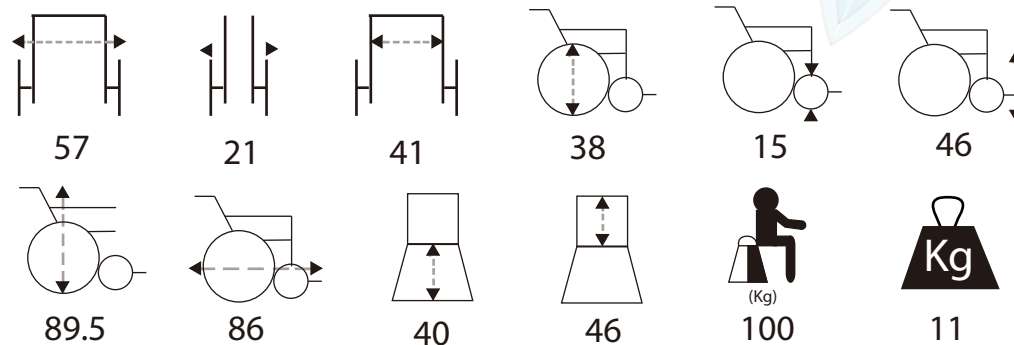


# WC-101 16" 細輪輪椅 WHEELCHAIR

Aluminum wheelchair, Light silver, Fixed armrest and footrest. Drop back handle, Drop back handle, Blue painted frame, Nylon cushion, 6" front wheel and vwith PU tire, 16" rear wheel with PU tire.



CDA Schematic (CAD示意圖) (cm)



浸信會愛羣社會服務處  
BAPTIST OI KWAN SOCIAL SERVICE



香港浸信會醫院  
Hong Kong Baptist Hospital